



Abumarshoud, H., Mohjazi, L., Dobre, O. A., Di Renzo, M., Imran, M. A. and Haas, H. (2021) LiFi through reconfigurable intelligent surfaces: a new frontier for 6G? IEEE Vehicular Technology Magazine, (doi: 10.1109/MVT.2021.3121647).

There may be differences between this version and the published version. You are advised to consult the publisher's version if you wish to cite from it.

<http://eprints.gla.ac.uk/257279/>

Deposited on: 11 November 2021

Enlighten – Research publications by members of the University of Glasgow
<http://eprints.gla.ac.uk>

LiFi Through Reconfigurable Intelligent Surfaces: A New Frontier for 6G?

Hanaa Abumarshoud, Lina Mohjazi, Octavia A. Dobre, Marco Di Renzo,
Muhammad Ali Imran, and Harald Haas

Abstract—Light fidelity (LiFi), which is based on visible light communications (VLC), is celebrated as a cutting-edge technological paradigm that is envisioned to be an indispensable part of 6G systems. Nonetheless, LiFi performance is subject to efficiently overcoming the line-of-sight blockage, whose adverse effect on the reliability of wireless reception becomes even more pronounced in highly dynamic environments, such as vehicular applications. Meanwhile, reconfigurable intelligent surfaces (RISs) emerged recently as a revolutionary concept that transforms the physical propagation environment into a fully controllable and customisable space in a low-cost low-power fashion. We anticipate that the integration of RISs in LiFi-enabled networks will not only support blockage mitigation but will also provision complex interactions among network entities, and is hence manifested as a promising platform that enables a plethora of technological trends and new applications. In this article, for the first time in the open literature, we set the scene for a holistic overview of RIS-assisted LiFi systems. Specifically, we explore the underlying RIS architecture from the perspective of physics and present a forward-looking vision that outlines potential operational elements supported by RIS-enabled transceivers and RIS-enabled environments. Finally, we highlight major associated challenges and offer a look ahead toward promising future directions.

I. TOWARDS INTELLIGENT LIFI

Harnessing the power of billions of connected devices, the future Internet-of-Everything (IoE) is envisioned to enable innovative and progressive services such as telemedicine, extended reality, and automatic high-precision manufacturing. Such applications require unprecedented wireless connectivity with specific key performance indicators (KPIs) including terabit-per-second speed, exceedingly high-reliability, extremely low-latency, and high energy-efficiency, which cannot be efficiently supported by 5G networks. To cater for these demands, 6G is envisioned to be built on a new physical layer architecture that incorporates subterahertz and visible light bands to support and complement radio frequency (RF) communications.

H. Abumarshoud and H. Haas are with the LiFi R&D Centre, University of Strathclyde, Glasgow, G1 1RD, UK. (e-mail:{hanaa.abumarshoud, h.haas}@strath.ac.uk).

L. Mohjazi and M. A. Imran are with the School of Engineering, University of Glasgow, Glasgow, G12 8QQ, UK. (e-mail:l.mohjazi@ieee.org, muhammad.imran@glasgow.ac.uk).

O. A. Dobre is with the Faculty of Engineering and Applied Science, Memorial University, Canada. (e-mail:odobre@mun.ca).

M. Di Renzo is with Université Paris-Saclay, CNRS, CentraleSupélec, Laboratoire des Signaux et Systèmes, 3 Rue Joliot-Curie, 91192 Gif-sur-Yvette, France. (e-mail:marco.di-renzo@universite-paris-saclay.fr).

Harald Haas acknowledges the financial support from the Royal Society and the Engineering and Physical Sciences Research Council (EPSRC) under Established Career Fellowship grant EP/R007101/1

Light fidelity (LiFi), which offers a fully networked bidirectional wireless solution based on visible light communications (VLC), has been identified as an important component in the 6G blueprint. The directionality and short-range travel distances of light signals allow for extreme cell densification in indoor, vehicular, and underwater communications, providing secure high-speed connectivity. Nonetheless, the achievable capacity in LiFi systems is limited by: 1) the modulation bandwidth of the transmitting light-emitting diodes (LEDs), and 2) the high dependency on the line-of-sight (LoS) which means that signal quality is influenced by link blockage and random receiver orientation. The use of multiple-input multiple-output (MIMO) systems is a promising solution to overcome these limitations and boost the capacity and diversity gains of LiFi, albeit with possibly hindered performance due to the high correlation between the spatial subchannels.

Until recently, the design of LiFi systems was mainly focused on enhancing the transmission and reception capabilities in the face of undesirable uncontrollable channel conditions. In order to achieve the KPIs of 6G, there is a need to go beyond the current communication architecture, which is limited by the transceiver front-ends capabilities, and to exploit the available degrees of freedom in the environment. Based on this, intelligent LiFi can autonomously and dynamically adapt its operation in order to achieve ubiquitous connectivity that is resilient to the adverse probabilistic factors. This article aims to give a forward-looking vision of the role that reconfigurable intelligent surfaces (RISs) can play in enabling intelligent LiFi as a new frontier for 6G wireless networks.

A. RIS: A Disruptive Concept

An RIS comprises a metasurface that can be proactively reconfigured to alter the wireless wave propagation. Based on this emerging concept, future wireless networks may utilise different surfaces and physical objects in the environment as wireless boosters to enhance their operations. Readers are referred to [1] for a detailed overview of RIS technology and how it compares to relaying. The application of this concept in optical communications is still in its infancy. Optical RISs can be realised by means of metasurfaces or mirror arrays as discussed in [2]. The use of RISs was investigated as a means to maintain the LoS in the presence of link obstructions in free space optical systems [3] and in indoor VLC systems [4].

To better understand the potentials and limitations of the interplay between RISs and LiFi, we next shed light on some of the reported capabilities of metasurfaces to control visible light propagation.

B. Metasurfaces From the View of Physics

Metasurfaces are two-dimensional artificial structures that comprise a conductive pattern repeated over a dielectric substrate. When an electromagnetic (EM) wave impinges on a metasurface, a current pattern is induced depending on the metasurface geometry and composition. The states of the switching elements can be dynamically configured to introduce a specific EM response by manipulating the outgoing photons [5]. Although the use of metasurfaces in optical communications has only recently become an active area of research, their capabilities in light manipulation have already been developed in the field of flat optics. The most important light manipulation capabilities that can be realised by metasurfaces are:

- 1) Refractive index tuning: with a negative refractive index it is possible to reverse the phase velocity of the light-wave and bend it in a direction that is impossible with a positive index [6].
- 2) Anomalous reflection: metasurfaces make it possible to break Snell's law by reflecting the light into a desired direction, i.e., the angle of reflection can be made different from the angle of incidence [7].
- 3) Signal amplification and attenuation: metasurfaces can be tuned to provide light amplification, attenuation, or even complete absorption [8].
- 4) Wavelength decoupling: it is possible to engineer wavelength-specific EM responses to control different wavelengths independently [9].

It is noted that the operating principle of RISs in optical communications follows the same operating principle as in RF. However, the main challenge is to realise metasurfaces that are capable of controlling the amplitude, phase, polarisation, and optical impedance of optical wavefront arbitrarily, independently, and with sub-wavelength spatial resolution.

II. RISs FOR ADAPTIVE TRANSCIEVERS

LiFi transmitters emit directional beams of light characterised by their field-of-views (FoVs). A large FoV results in a wider beam angle, which is beneficial for higher coverage and more uniform illumination. This comes at the cost of lower light intensity at the receiver, i.e. lower Watt/unit area. As a result, transmitters with small FoVs can better preserve the received optical power, albeit requiring perfect link alignment. Light rays falling within the receiver's FoV generate an electrical current that is directly proportional to the received optical power. The more data-carrying photons are observed at the photo-detector (PD) surface, the higher the detection accuracy is. This suggests that using PDs with large physical areas leads to better performance. However, large PDs typically have lower 3 dB bandwidth due to the increased capacitance and, hence, are not suitable for high data-rate applications. To tackle this problem, receivers employ PDs with small physical areas combined with convex, spherical, or compound parabolic concentrating lenses, to help focus the light rays onto the PD surface.

The optical components used in the state-of-the-art LiFi transceivers are non-configurable structures, meaning that their

characteristics, such as FoVs, amplification factors, and operating wavelengths, are predetermined and cannot be dynamically adjusted. Due to the tunability of their physico-chemical characteristics, RISs can unleash the possibility to achieve dynamically tunable transceivers as discussed in the following.

A. Beam Steering and Amplification

A concept design of an RIS-based receiver was demonstrated in [8], where the traditional convex lens is replaced with a liquid crystal array to provide light steering and amplification, which was shown to extend the coverage range by a few meters. The amplification in this case is achieved locally using the surface waves, but the RIS is globally passive, i.e. it does not require any power supply. In such configurations, it is critical that the RIS handles amplification without driving the PD to work in the saturation region to avoid signal distortion. Besides enabling beam steering at the receiver, it is also possible to exploit this functionality at the transmitter to enhance the beams' directivity, as illustrated in Fig. 1 (a).

B. Configurable Wavelength Division Multiplexing (WDM) Transceivers

In WDM, data streams are multiplexed on distinct wavelengths by utilising a combination of different coloured LEDs. Dichroic mirrors are typically used in WDM transceivers to combine the different wavelengths at the transmitter and to decorrelate the received signals at the receiver. Such transceiver structures are fixed configurations that can only work for a specific WDM scheme, i.e. a receiver comprising red, green, and blue (RGB) filters can only decorrelate an RGB-based WDM signal. Since the EM response of RISs can be tuned at different wavelengths, they could be possibly integrated in WDM transceivers as illustrated in Fig. 1 (b). The spectral width of the RIS elements can then be tuned to realise dynamic interference filtering according to the used transmission scheme. RIS tuning allows for allocating different weights to each received wavelength, and hence, the effective signal-to-interference ratio can be optimised. The realisation of WDM tunable transceivers requires the fabrication and characterisation of metasurfaces whose response can be finely tuned for different wavelengths.

C. Dynamic Angular Diversity

Fig. 1 (c) illustrates an angular diversity transmitter (ADT) consisting of multiple LEDs, each pointing towards a particular direction to create multiple sub-cells for multi-user access. Since the optical components in ADTs are closely located, the degree of decorrelation between the subchannels is not always high enough to provide meaningful diversity gain. Interference levels can be high for users located in the overlapping area of two sub-cells, which diminishes the performance gain. There is a need to adapt the spatial separation and width of the optical beams according to the number and locations of users, since fixed transceiver structures are not always guaranteed to provide the required performance gain. To tackle this issue,

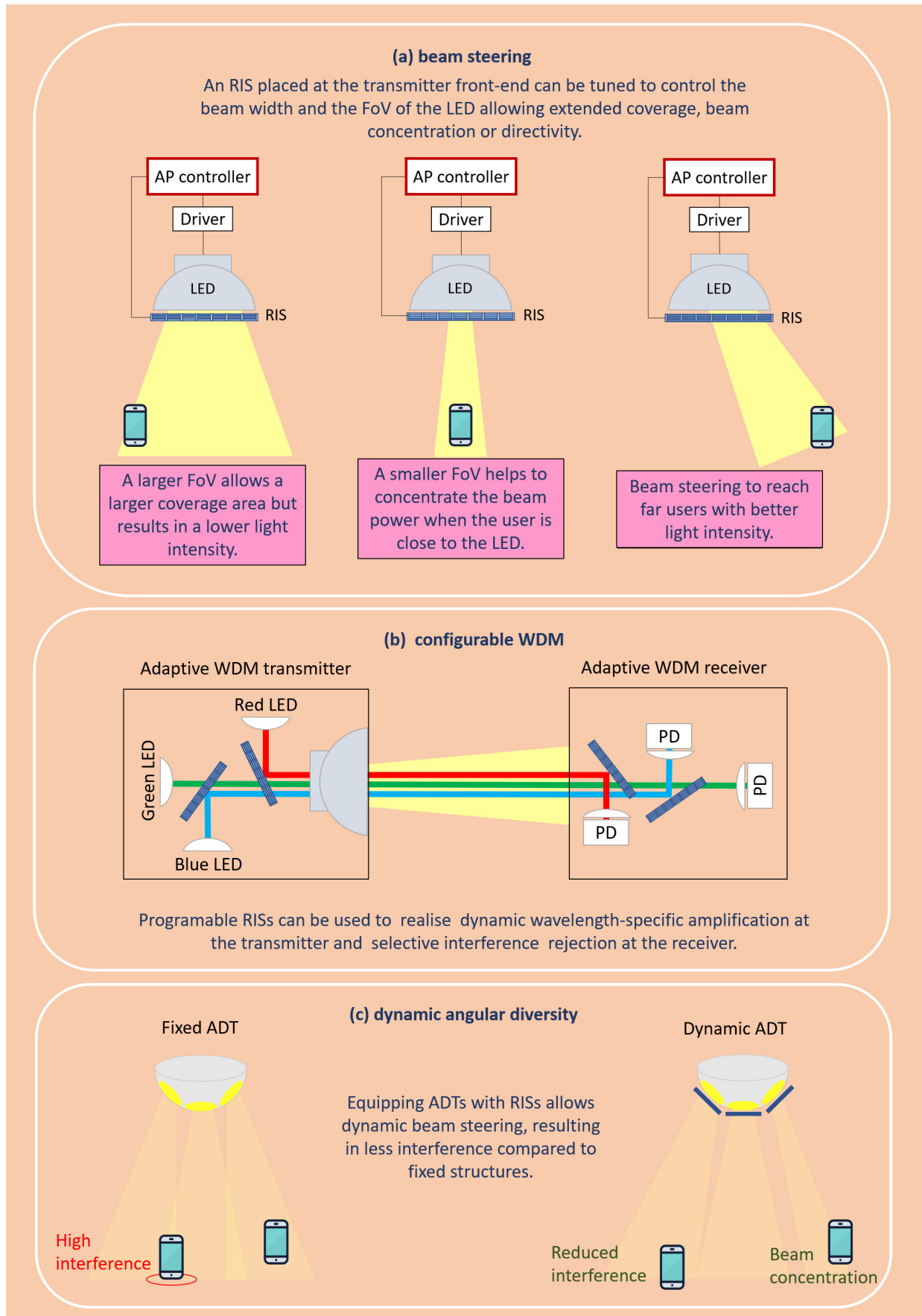


Fig. 1: Envisioned functionalities for RIS-enabled transceiver front-ends.

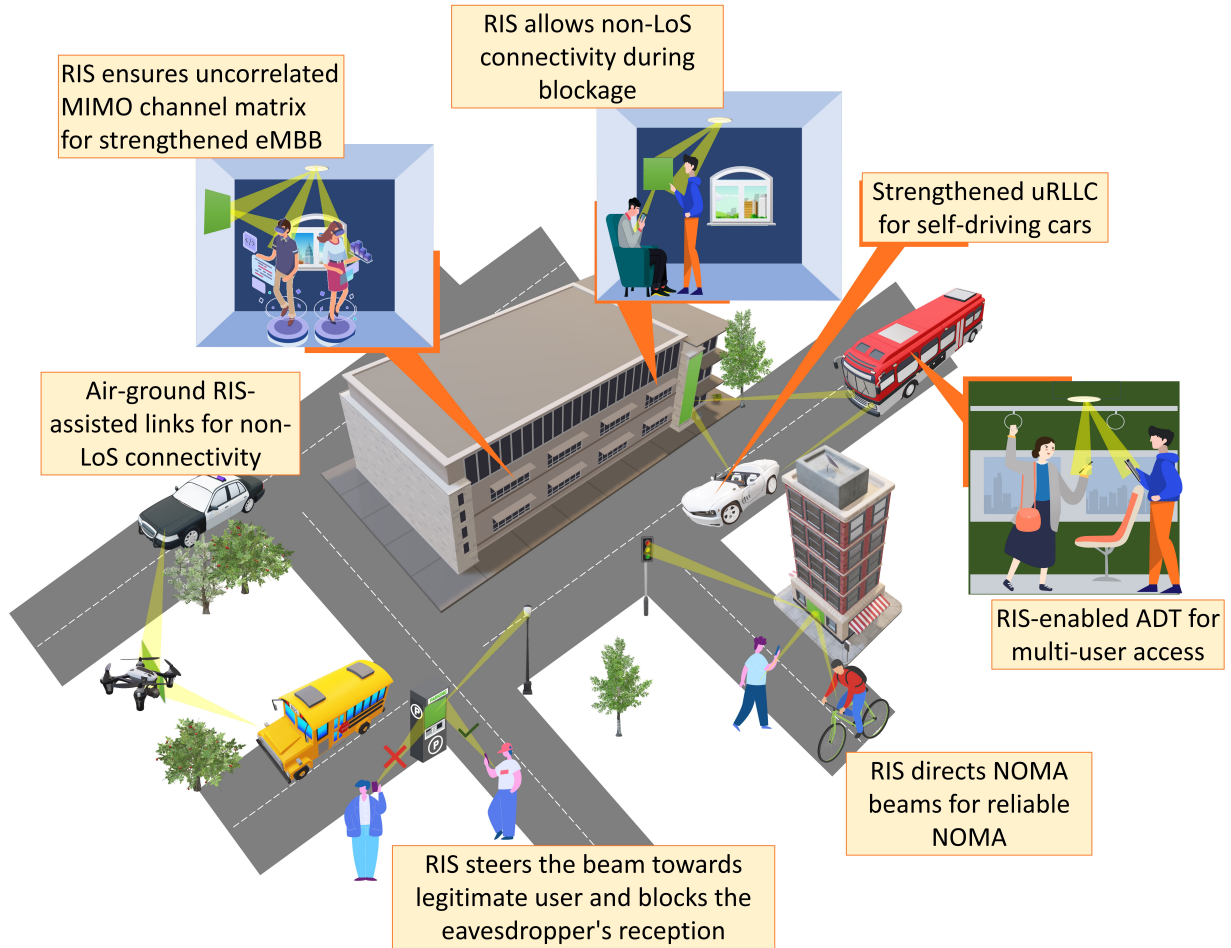


Fig. 2: Envisioned RIS-enabled 6G LiFi applications in indoor and outdoor scenarios.

RISs may be utilised to dynamically change the width and divergence of the optical beams, allowing for higher numbers of users to be simultaneously served with less interference and higher area spectral efficiency.

III. RIS-ENABLED ENVIRONMENTS

In this section, we discuss some potential applications for the integration of RISs within LiFi environments, as illustrated in Fig. 2.

A. Non-LoS Connectivity for Mobility Support

The optical link quality primarily relies on the existence of LoS paths, which necessitate perfect alignment between the transmitter and the receiver. While ensuring such alignment is a viable solution in VLC links between static terminals, the case is more complicated in LiFi networks supporting user mobility. This is particularly pronounced in vehicular communications where high mobility might result in frequent signal interruption due to LoS blockage. One possible solution is to harness multi-path propagation for non-LoS connectivity. However, non-LoS signals are totally uncontrolled, nearly isotropic in their spatial distribution, and very weak in their average intensity. It was shown in [2] that a $25\text{ cm} \times 15\text{ cm}$

reflector can enhance the received power five fold compared to the direct LoS link, which makes RISs a very appealing solution to compensate for LoS blockage in LiFi systems. By leveraging RISs, one could enable ubiquitous connectivity under mobility conditions, i.e., link blockages and random device orientations, as shown in Fig. 3.

B. Uniform Coverage for Seamless User Experience

LiFi coverage is typically confined within the beam width of the transmitted light which spans 2 m - 3 m in diameter. While this property makes LiFi particularly secure against eavesdropping, it results in short communication range and non-uniform distribution across the area as shown in Fig. 4 (a). The reduced link reliability at the cell-edge implies that users moving in the proximity of the LiFi access points (APs) will need to perform frequent horizontal handovers between neighbouring LiFi APs, or vertical handovers between the LiFi and the RF networks. RIS-enabled environments can enhance the LiFi coverage by mitigating the dead-zone problem for cell-edge users as shown in Fig. 4 (b). For a user located at the room edge, the LoS received power from an AP mounted in the room centre could range from low to none. However, since the user is close to the wall-mounted RIS, the reflected signal strength can allow for meaningful link quality.

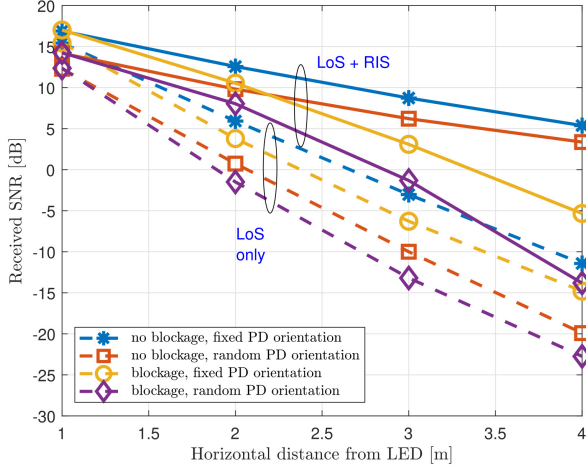


Fig. 3: Simulation results for received signal-to-noise ratio (SNR) vs. the horizontal separation between the user and the LED in a $8 \times 8 \times 3$ m³ room setup with 1 m² RIS mounted on one wall.

C. Spatial Decorrelation for Enhanced MIMO

The application of MIMO systems in LiFi is particularly appealing, due to the existence of large numbers of LEDs in a single luminary and the existence of many luminaries in various indoor and outdoor settings. Unlike RF, optical links do not exhibit fading characteristics and, thus, do not always represent unique signatures. In fact, the optical channel is subject to a strong deterministic component, since it is mainly influenced by the transceivers' geometry, meaning that the MIMO channel can be rank-deficient or ill-conditioned. This constitutes a performance bottleneck for different MIMO configurations such as spatial multiplexing and spatial modulation, particularly in massive MIMO due to the close proximity of the front-ends.

One possible solution to tackle this problem is to carefully align the LEDs and PDs in a way that ensures uncorrelated subchannels. However, optimising the locations of the transceiver front-ends in LiFi systems that support high user mobility proves to be a challenging requirement. RIS-enabled environments could offer an excellent solution to improve the MIMO channel matrix rank, yielding better spatial decorrelation. In scenarios where MIMO receivers observe equivalent subchannels from the direct LoS link, the intensity of the reflected paths from the RISs to the receivers can be controlled so that the total observed subchannels are sufficiently distinguishable. Better spatial uniqueness will enable higher spectral efficiency and boost the achievable data rates of LiFi MIMO systems.

D. RIS-Based Modulation

The operating principle of RIS-based modulation is illustrated in Fig. 5. An RIS equipped with multiple reflecting elements receives the data modulated signal from the LED and reflects it to the receiver. Assuming that each reflecting element has two distinct reflecting states (on/off), different

on/off combinations correspond to different observed channel realisations at the receiver [10]. Theoretically, the spectral efficiency of RIS-based modulation increases linearly with the number of reflecting elements. However, the error performance is practically limited by the Euclidean distance between the constellation points, which is governed by the degree of decorrelation among the reflections. In other words, although a high number of distinct channel combinations can be generated, a superior performance enhancement can be only realised if these combinations are clearly distinguishable. At the receiver terminal, the detector task is not only to decode the M -ary modulated symbol, but also to estimate the channel state of each reflecting element. This implies that the receiver needs to be trained with pilot signals from all possible RIS combinations. Since the coherence time of VLC is at least an order of magnitude larger than its RF counterpart, channel state information (CSI) can be performed at a lower rate compared to RF, resulting in lower complexity and signalling overhead. An important question that arises here is: how will the RIS receive the intended data bits in order to alter the reflecting elements' states? A possible way to do this is to mount the RIS on a fixed object that is connected to the LiFi backhaul network. For example, an indoor wall-mounted RIS can be connected to the same power-line communication link feeding the LEDs in the ceiling.

E. Non-Orthogonal Multiple Access (NOMA)

Power-domain NOMA is a spectrally efficient technique in which different users are simultaneously served using a single resource block. The spectral efficiency gain offered by NOMA is dependant on having distinct channel conditions for different users, which is not always guaranteed in LiFi. In fact, since the optical channel gain is almost exclusively determined by the relative location of the user with respect to the AP, it is highly likely that multiple users will have similar channel conditions, hindering the feasibility of NOMA.

The case might completely change in RIS-assisted LiFi systems. By controlling the multi-path channel propagation, it would be possible to dynamically alter the perceived channel gains at different users' locations to achieve performance enhancements in two ways:

- 1) Higher reliability: controlling the channel gains make it possible to create perfect conditions for effective power allocation and successful successive interference cancellation.
- 2) Enhanced fairness: NOMA users with lower decoding order, i.e., lower channel gain, have to always decode their signals with the existence of interference which means that their achievable data rates might not be sufficient to satisfy their quality-of-service (QoS) requirements. Dynamic RIS tuning makes it possible to change the users decoding order despite their locations, leading to enhanced fairness.

F. Physical Layer Security (PLS)

Although LiFi is inherently secure in confined places because light signals do not penetrate walls, LiFi links are

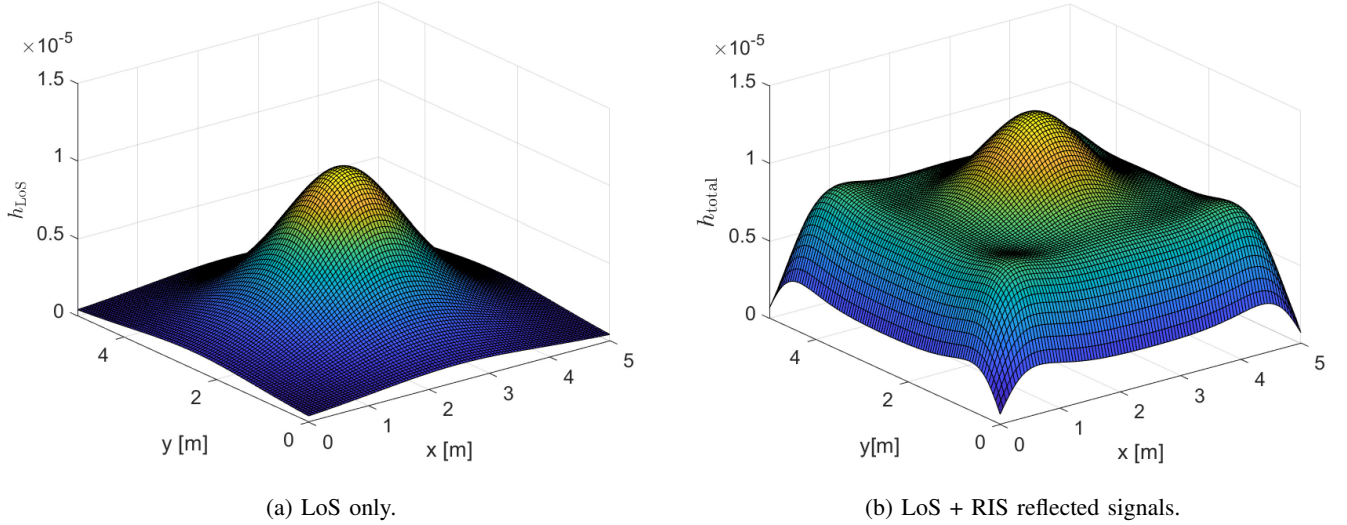


Fig. 4: Simulated channel gain distribution across a $5 \times 5 \times 3 \text{ m}^3$ room with a) LED LoS only, and b) LED assisted with RIS covering an area of 1 m^2 on each of the four walls.

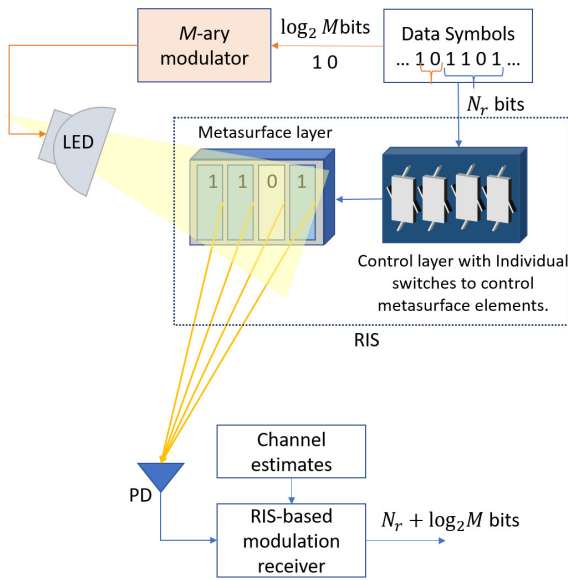


Fig. 5: RIS-based modulation in a LiFi transceiver equipped with an RIS containing of N_r reflecting elements.

susceptible to eavesdropping by malicious users existing under the coverage area of the same AP [11]. The integration of RISs in LiFi systems can lead to enhanced PLS in one of the following ways:

- 1) Enhanced secrecy capacity: dynamic multi-path tuning to maximise the channel gain for legitimate users.
- 2) Jamming: randomised multi-path reflections directed towards the eavesdropper to produce artificial noise.
- 3) Secure beamforming: multiple RIS elements can be configured to produce precoding vectors so that the data signal can only be decoded at the legitimate user.

In order to realise RIS-based PLS, there is a need to investigate

the secrecy capacity performance in such systems in relation to the locations and capabilities of RISs, particularly with the existence of ambient noise in outdoor links, and to understand how RISs can be enabled to perform users authentication.

IV. RISs BEYOND COMMUNICATIONS

In the following, we discuss how RIS-enabled LiFi systems have the potential to provide enhanced monitoring and power transfer, on top of their communications functionalities.

A. RIS-Aided Light-based Monitoring

The dynamics of light propagation and reflection in LiFi systems carry huge amounts of information about the distance travelled by the light rays, the nature of obstacles encountered, and the movement patterns in the coverage areas. Light-based sensing solutions, such as LiSense, StarLight, and Li-Tect ([12] and the references therein), proved that light has the potential to provide accurate 3D sensing. In these techniques, propagation paths of beacon signals between multiple optical transmitters and receivers were utilised to reconstruct point clouds for the purpose of localisation.

In RIS-assisted environments, each reflected path constitutes a unique spatial signature depending on the locations and EM response of the objects existing in the environment. The reflections from the RIS elements can be shaped by controlling the EM response of each element in order to enable better mapping from the position space to the measurement space. Based on this, accurate localisation can be achieved for indoor applications, including physical rehabilitation, gesture recognition, and automated manufacturing, as well as for outdoor applications, such as measuring the distances between vehicles, pedestrians, and buildings for safety and surveillance.

B. Simultaneous Light-Wave Information and Power Transfer (SLIPT)

The potential of LiFi systems to provide illumination while supporting information transfer concurrently with energy harvesting (EH) has led to the emergence of SLIPT as an innovative approach to extend the lifetime of energy-constrained terminals [13]. In this context, visible light-waves broadcasted through LEDs are captured at the receiver to perform information decoding (ID) and EH simultaneously according to a pre-defined time or power splitting factor (SF). One of the key challenges in SLIPT is that transceivers should be capable of identifying an optimal SF to satisfy the demands of both EH and ID. The merits of integrating RISs within LiFi transceivers can be leveraged to dynamically tune the transceiver characteristics, through beam steering and amplification, as described in Sec. II-A, which together with smartly optimising the SF can lead to a balance between ID and EH. We envision that RIS-assisted smart environments can potentially offer an on-demand efficient resource allocation for SLIPT, especially in dense deployments. Capitalising on the design of efficient joint active and passive beamforming techniques, the transmitted and reflected signals can be added in a constructive or destructive manner to create multiple data/light-wave energy streams conveyed to multiple receivers. This delivers an unprecedented flexibility of multiple access control in conjunction with transmission rate and light transmit power control that maintain individual QoS requirements on ID/EH and guarantee inter-user interference mitigation in a dynamic fashion.

V. CHALLENGES

In this section, we discuss some critical challenges that need to be addressed for realising the full potential of integrating RISs in LiFi networks.

A. Modelling and Characterisation

The development of realistic and accurate channel models is essential to capture the fundamental performance limits of RIS-assisted LiFi systems. Moreover, there is a need to quantify the efficiency and response time to achieve specific functionalities, such as amplification, absorption, anomalous reflection, etc. It is noted that the use of RIS-assisted LiFi is particularly desirable in outdoor transmissions, such as vehicle-to-vehicle and vehicular-to-infrastructure, due to the requirement of extremely small beam angles in such long-distance links. Underwater LiFi systems could also benefit from dynamic tuning and beam steering because the underwater environment is characterised by severe signal attenuation, and thus, any possibility to precisely steer and focus the light beams will undeniably bring advantages. Accordingly, it is critical to understand how RISs perform in different media, such as underwater and outdoor environments with high ambient noise. Comprehensive practical implementations and measurements over practical setups are required to assess the performance in real-world scenarios.

B. Real-Time Estimation and Optimisation

RISs provide the fabric for dynamic LiFi configurability based on the knowledge of the varying system parameters, which necessitates the availability of accurate CSI of direct and non-direct channel paths of all network users. The natural challenges that arise include the acquisition of the necessary data in a practical and cost-effective manner, the integration of optimisation and resource management capabilities into the network topology, as well as the convergence, stability, and required frequency of dynamic sensing and reconfiguration.

Data acquisition and optimisation can be possibly performed in a distributed or centralised manner. In the case of a distributed implementation, RISs are expected to be equipped with the capabilities needed for autonomously identifying the optimal function to apply based on the cascaded channel gain information (from the LED to the RIS and from the RIS to the user) and on the network topology, resulting in high complexity and feedback overhead. The centralised approach employs a central control unit at the AP which executes the estimation and optimisation protocols and communicates the optimal design coefficients to the RIS's control layer. The obvious advantage of the centralised approach is reduced energy consumption and simpler hardware design, while the main challenge is the associated signalling overhead between the AP and the RIS, which would be more pronounced in high mobility scenarios. The trade-off between distributed and centralised approaches needs to be quantified so as to develop practical strategies for different applications.

C. Ambient Light Amplification

The effect of solar irradiance is typically modelled as a shot noise source rather than an interference source because the variations in the sunlight intensity over a symbol period are negligible. RISs will be used to focus the signal towards a specific user; this is not only true for the useful signal but also for the ambient light, meaning that RISs can lead to an increase in the ambient shot noise at the receiver.

The fact that RISs allow wavelength-selective operation indicates that the reflection/steering/focusing of light does not affect the whole ambient light but rather the light with the wavelength of interest. However, considerable shot noise can still be present at the receiver which could hinder the anticipated performance enhancements offered by RISs. The use of optical filters can be a potential solution, although the performance gain might be limited. It is, thus, critical to investigate how well do RIS-assisted links perform in the presence of ambient light, and to come up with effective mitigation techniques to combat the adverse noise-amplification effects in well-lit LiFi setups.

D. Health Implications

The use of RISs in the context of LiFi raise concerns related to the safety of the optical radiation emissions. When it comes to eye safety, the main concern is the exposure to ultraviolet, violet, and blue wavelengths. Since white LEDs employ phosphor coating, the blue radiation is reduced to

a negligible amount that does not cause any health risks [14]. Metasurfaces can be engineered to produce wavelength-specific EM response to control different wavelengths independently. Hence, RISs in LiFi can be used to only steer the wavelengths of interest produced by LEDs, which typically fall in the visible light region (400-750 nm), and thus do not increase the risk of exposure to hazardous radiations.

Albeit considered safe in normal conditions, prolonged exposure to high-intensity visible radiations may involve the risks of thermal and photochemical injury to the eye, as well as erythema and pigmentation to the skin. The early results presented in [2] demonstrate that the use of metasurfaces and mirror arrays in an indoor environment results in received powers in the order of a few milliwatts at the targeted location. Since thermal injury of the cornea or skin requires concentrated optical power in the hundreds of milliwatts to watts range, such use of RISs can be considered safe. Nonetheless, it is critical to evaluate the focusing power for different types and sizes of RISs in order to preserve the safety conditions in the deployment environments. Further applied research in this direction is needed in order to better understand the requirements needed for a safe deployment of this technology.

VI. THE WAY FORWARD

In the following, we present a forward-looking discussion on promising research directions.

A. Interplay of Machine Learning (ML) and RIS-Assisted LiFi

Turning the environment into a programmable, and a partially deterministic space, relies on incorporating several parameters in the performance optimisation, which in turn depends on a large amount of sensed data that is processed in a time-critical manner to interact with and incorporate responses from the dynamic environment surrounding the RISs. This suggests that network resource management would be an extremely challenging task, since memory, computing power, traffic demands, and space need to be considered. To tackle this challenge, ML-based solutions may be exploited to support the operation and optimisation of RISs, paving the way for LiFi networks to become truly autonomous, prescriptive, and predictive. Although it is envisioned that the synergy of ML and RISs will evolve the nature of LiFi applications emerging in all industries, conventional ML algorithms are not well suited to guarantee real-time user and network needs in highly dynamic and ultra low-latency-driven applications [15]. Therefore, it is essential to explore innovative mechanisms to resolve the shortcomings of existing ML approaches, such as prohibitive training and communication overhead and large processing delays, and hence, open up avenues for exciting applications across all verticals.

B. RIS-Assisted Hybrid LiFi-RF Networks

Hybrid LiFi-RF systems have recently emerged as a paradigm-shifting technology that is receiving significant attention, as they show outstanding capabilities in enhancing capacity, throughput, and coverage. This can be attributed

to the mutual benefits gained by utilising both the optical and RF spectra, such as RF traffic offloading, increased LoS blockage mitigation, and improved security and privacy. With RISs being widely recognised as a disruptive approach to augment RF communications, the coexistence of RIS-assisted LiFi and RIS-assisted RF networks seems to be a natural continuum to hybrid LiFi-RF. This close integration can offer a combined solution that potentially meets the stringent requirements of future wireless applications, which are defined by ultra-reliable, extremely low-latency, data-driven, and seamless wireless connectivity. Nonetheless, distinctive challenges arise in this case, such as the need to develop complex load balancing mechanisms, reliable resource utilisation and energy management schemes, efficient cross-layer analytical tools, and novel cross-band selection combining algorithms. One critical question immediately emerges: what ML tools can shake hands with RIS-assisted hybrid LiFi-RF systems to support real-time dynamic network decision making?

VII. CONCLUSION

The merit of RIS technology opens the door for a whole new realm of wireless applications in which the propagation medium is no longer an impediment, but rather an additional degree of freedom. This article discussed how the interplay between RISs and LiFi can lead to innovative and progressive applications by enabling intelligence in the transceiver's operations as well as in the environment. More research on the deployment of RISs in LiFi networks is fundamental to understand their capabilities and limitations, and to address the practical considerations that are required to translate this disruptive concept into real-world applications.

REFERENCES

- [1] M. Di Renzo *et al.*, "Reconfigurable intelligent surfaces vs. relaying: Differences, similarities, and performance comparison," *IEEE Open J. Commun. Soc.*, vol. 1, pp. 798–807, Jun. 2020.
- [2] A. M. Abdelhady, A. K. S. Salem, O. Amin, B. Shihada, and M. S. Alouini, "Visible light communications via intelligent reflecting surfaces: Metasurfaces vs mirror arrays," *IEEE Open J. of the Commun. Soc.*, vol. 2, pp. 1–20, Dec. 2021.
- [3] M. Najafi and R. Schober, "Intelligent reflecting surfaces for free space optical communications," in *Proc. IEEE Global Communications Conference (GLOBECOM)*, pp. 1–7, Feb. 2020.
- [4] B. Cao, M. Chen, Z. Yang, M. Zhang, J. Zhao, and M. Chen, "Reflecting the light: Energy efficient visible light communication with reconfigurable intelligent surface," in *Proc. IEEE 92nd Vehicular Technology Conference (VTC2020-Fall)*, pp. 1–5, Feb. 2021.
- [5] C. Liaskos, S. Nie, A. Tsioliaridou, A. Pitsillides, S. Ioannidis, and I. Akyildiz, "A new wireless communication paradigm through software-controlled metasurfaces," *IEEE Commun. Mag.*, vol. 56, no. 9, pp. 162–169, Sep. 2018.
- [6] S. Horsley and M. Woolley, "Zero-refractive-index materials and topological photonics," *Nat. Phys.*, vol. 17, pp. 348–355, Dec. 2020.
- [7] A. Diaz-Rubio, V. S. Asadchy, A. Elsakka, and S. A. Tretyakov, "From the generalized reflection law to the realization of perfect anomalous reflectors," *Science Advances*, vol. 3, no. 8, Aug. 2017.
- [8] A. R. Ndjiongue, T. Ngatched, O. Dobre, and H. Haas, "Re-configurable intelligent surface-based VLC receivers using tunable liquid-crystals: The concept," *J. Lightw. Technol.*, vol. 39, no. 10, pp. 3193–3200, 2021.
- [9] Y. Li, X. Li, L. Chen, M. Pu, J. Jin, M. Hong, and X. Luo, "Orbital angular momentum multiplexing and demultiplexing by a single metasurface," *Advanced Optical Materials*, vol. 5, no. 2, p. 1600502, Nov. 2017.
- [10] Q. Li, M. Wen, and M. Di Renzo, "Single-RF MIMO: From spatial modulation to metasurface-based modulation," *arXiv preprint arXiv:2009.00789*, 2020.

- [11] H. Abumarshoud, M. D. Soltani, M. Safari, and H. Haas, "Realistic secrecy performance analysis for LiFi systems," *IEEE Access*, vol. 9, pp. 120 675–120 688, 2021.
- [12] E. A. Jarchlo, X. Tang, H. Doroud, V. P. G. Jimenez, B. Lin, P. Casari, and Z. Ghassemlooy, "Li-Tect: 3-D monitoring and shape detection using visible light sensors," *IEEE Sensors J.*, vol. 19, no. 3, pp. 940–949, Feb. 2019.
- [13] G. Pan, P. D. Diamantoulakis, Z. Ma, Z. Ding, and G. K. Karagiannidis, "Simultaneous lightwave information and power transfer: Policies, techniques, and future directions," *IEEE Access*, vol. 7, pp. 28 250–28 257, Feb. 2019.
- [14] Y.-C. Chi *et al.*, "Phosphorous diffuser diverged blue laser diode for indoor lighting and communication," *Sci Rep* 5, vol. 5, no. 18690, 2015.
- [15] L. Mohjazi, A. Zoha, L. Bariah, S. Muhaidat, P. C. Sofotasios, M. A. Imran, and O. A. Dobre, "An outlook on the interplay of artificial intelligence and software-defined metasurfaces: An overview of opportunities and limitations," *IEEE Veh. Tech. Mag.*, vol. 15, no. 4, pp. 62–73, Dec. 2020.